



# USER MANUAL

---

## HDMI 200M KVM IP EXTENDER (multipoint-to-multipoint)

**Enjoy the vivid world**

## Introduction:

HDMI 200M Extender over IP is based on TCP/IP standard. It transmits your HD display with the high resolution up to 200 meters away from your DVD or computer source by using one CAT5e/6 cable.

At the same time, it's convenient to transmit HDMI audio and video source by point-to-point mode, multipoint-to-multipoint and cascade connection mode .



## Features

- \* Support point-to-point mode, multipoint-to-multipoint mode ; and cascade connection mode ;
- \* 802.3 Ethernet standard ;
- \* Support IR remote control ;
- \* Support USB mouse and keyboard extension ;
- \* Support software management during multiple-to-multiple transfers.

## Specifications

|                        |  |
|------------------------|--|
| Resolutions.....       | 480p,720p,1080p                          |
| Audio.....             | Sample rate:32kHz,44.1kHz and 48kHz code |
| IR remote control..... | 38 KHz (NEC)                             |
| Power adapter.....     | DC:5V/1A                                 |

|                                     |                                      |                  |
|-------------------------------------|--------------------------------------|------------------|
| The Max Power consumption.....      | HDMI sender:2.5W                     | HDMI receiver:2W |
| Size(L-W-H).....                    | 163*87*24mm                          |                  |
| Weight.....                         | 474g x 2                             |                  |
| Operating Temperature/Humidity..... | 0 C-45 C/10%-80%RH(no condensation)  |                  |
| Storage Temperature/Humidity.....   | -10 C-70 C/5%-90%RH(no condensation) |                  |

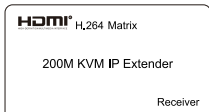
## Physical interface diagram

### HDMI Transmitter



| Port       | Description                              |
|------------|--|
| DC/5V      | 5V power supply for the Transmitter      |
| HDMI - IN  | HDMI input ,connect HDMI signal source   |
| HDMI - OUT | HDMI output, connect HDMI display device |
| IR-TX      | Connect IR transmitter                   |
| USB        | USB output, connect computer             |
| Ethernet   | Network interface by cat5e/6             |

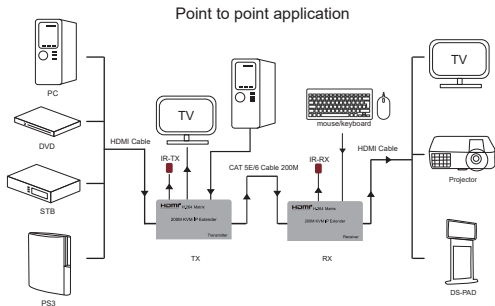
### HDMI Receiver:



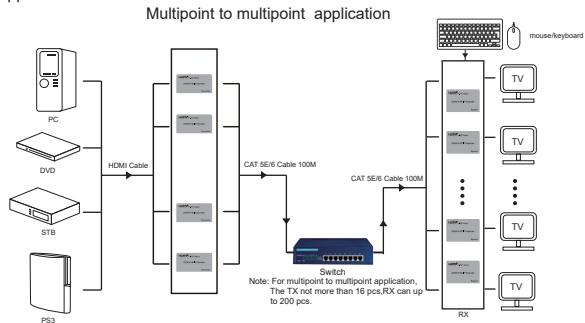
| Port      | Description                             |
|-----------|---|
| DC/5V     | 5V power supply for the receiver        |
| HDMI -OUT | HDMI output, connect HDMI signal device |
| IR-RX     | Connect IR receiver                     |
| USB1-2    | USB input,mouse/keyboard input          |
| Ethernet  | Network interface by cat5e/6            |

# Application diagrams

## Application 1:

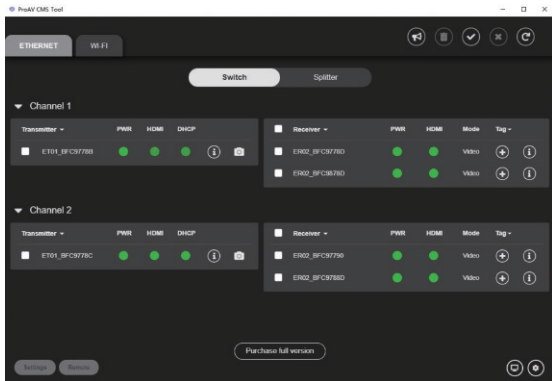


## Application 2:



## Connection and operation :

- 1) Connect the HDMI source (such as DVD, PS3, STB ) to the “HDMI IN” of transmitter by HDMI cable.
- 2) Connect the “HDMI out” of Receiver to HDTV display by HDMI cable.
- 3) Connect the Transmitter and Receiver with one cat5e/6 cable (recommend),the furthest distance is 200M.
- 4) Connect the “IR receiver “into “IR-RX” port on receiver, and “IR transmitter ” into the “IR-TX” on transmitter, and make sure the IR transmitter aim at IR port of the source.
- 5) Plug the mouse and keyboard into the USB port of the receiver, and connect the USB port of the transmitter with the computer if you need the KVM control function.
- 6) Connect two pieces of 5V power supply to the transmitter and receiver, and power on the HDTV display and HDMI source.
- 7) Multi-to-multipoint matching setting: As multiple TX and multiple RX units are connected to switches, you can use management software for pairing management.



## Application diagrams

HDMI 200M extender over IP is used in audio-visual conference, command and control center, ticketing platform, home theater, multi-media teaching, conference system and so on.



audio-visual conference



command and control center



home theater

## The Package contents :

- |                     |      |                  |       |
|---------------------|------|------------------|-------|
| 1. Transmitter      | 1PC  | 4. IR cable      | 1Pair |
| 2. Receiver         | 1PC  | 5. User's Manual | 1PC   |
| 3. 5V Power adapter | 2PCS |                  |       |