

8K HDMI Switcher 4x1 With Audio

INTRODUCTION

The 4x1 HDMI switch allows 4 HDMI ports to be switched to a single display terminal via remote control or buttons on unit. This product comes with two digital audio outputs (optical fiber and coaxial) and one 3.5 mm headphone output all the way.



Features :

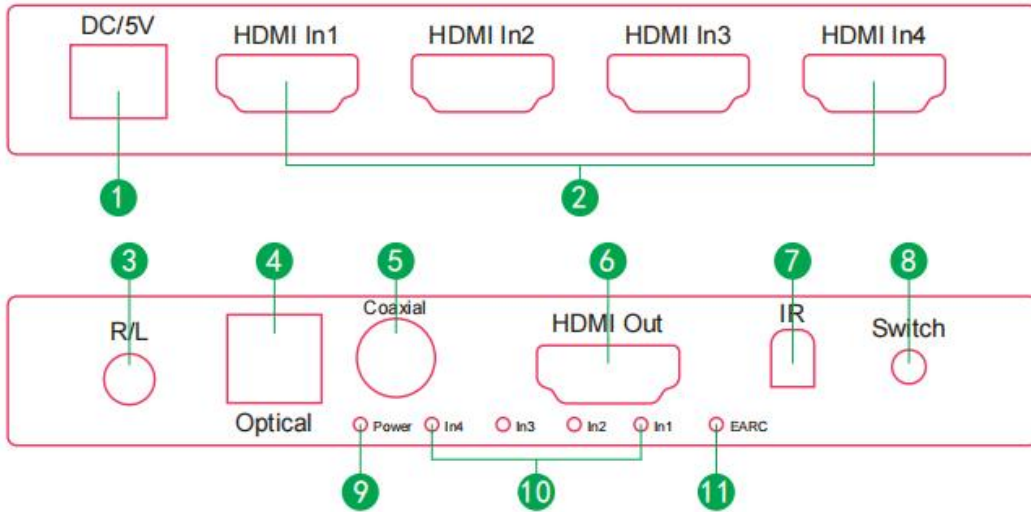
- * Support 8K@60Hz;
- * Support 3D video format;
- * Support EARC/ARC;
- * Support for HDMI audio extraction, 3.5mm headphone、optical fiber and coaxial digital audio output;
- * 4 HDMI signal input switch to 1 HDMI display device;
- * Support HDR;

Specifications :

HDMI resolution..... 8K@60Hz/8K@30Hz/4K@120Hz/4K@60Hz/4K@30Hz/1080P@60
Support video format 8/10/12 bit deep color
Support audio format DTS-HD/Dolby-trueHD/DTS/Dolby-AC3/DSD
Max baud rate 48Gbps
Input cable distance 8K/60Hz ≤3M AWG26 HDMI standard cable
Output cable distance 8K/60Hz ≤3M AWG26 HDMI standard cable
Max working current 500mA

Power adapter format Input: AC (50HZ, 60HZ) 100V-240V; Output: DC5V/1A
 Operating Temperature range (-15 to +55°C)
 Operating Humidity range 5 to 90%RH (No Condensation)
 Dimension (L x W x H) 121x87x19 (mm)
 Weight 173g

Interface diagram :



- 1: DC/5V --- 5V power supply ;
- 2: HDMI IN1-4 --- HDMI Input;
- 3: R/L --- Stereo output ;
- 4: Optical --- Optical output ;
- 5: Coaxial --- Coaxial output ;
- 6: HDMI Out --- HDMI output ;
- 7: IR ---IR receive ;
- 8: Switch --- HDMI Video switching button;
- 9: Power --- Power indicator light;
- 9: In4-In1 --- Signal source indicator light;
- 10: EARC --- EARC indicator light;

Connection Diagram :



Operating and Connecting :

1. Connect each HDMI source devices and input of HDMI switcher with HDMI cable.
2. Connect display devices and output of HDMI switcher with HDMI cable.
3. Connect audio output and stereo amplifier with stereo headphone or fiber/coaxial.
4. Connect 5V power supply to the 4K HDMI switcher 4x1.
5. Use the IR remote or button control to switch the signal source freely.

NOTE: HDMI port and audio ports are connected according to user needs, not every be connected; but not reversed.

The remote control:

- 1-4: Signal source selection button.
- EARC: audio return.

Notes :

Pls use the machine as the instruction listed to keep the long use lifetime of the machine.

1. The machine should be placed at the spot far from the Damp, High-Temperature, Dusty, Erosive, and oxidative environment.
2. All parts will be free from the strong shake, hit, fall.
3. Touching the power adaptor with the wet hands is prohibited.
4. Pls turn the power off when the machine is not used for long time.
6. Pls do not open the cover and do not touch the inside parts.
7. Pls use the original factory power adapter.

Application scenario :

Accessories :

1. HDMI Switcher 4x1 1PC
2. IR Remote Control 1PC
3. 5V power adapter 1PC
4. User Manual 1PC